

Preliminary Specifications

SMART Height-Adjustable Wall Mount

Model HAWM-UX/UF

Physical Specifications

Size

Without SMART Board™
Interactive Whiteboard) 43" W × 57" H × 5 5/8" D
(109 cm × 145 cm × 14 cm)
Suggested mounting
height for 8' ceiling 52" (132 cm) or lower from floor to
wall-mount bracket to fit an 8'
(2.44 m) ceiling allowing full range of
motion

With SMART Board
SB685i3 or SBD685i3 77 1/2" W × 57" H × 55 7/8" D
Interactive Whiteboard (197 cm × 145 cm × 142 cm)
(not included)

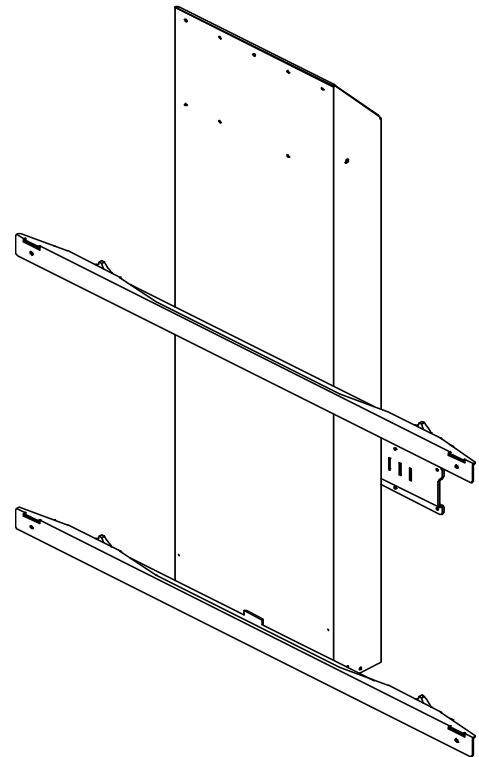
With SMART Board
SB685ix Interactive 77 1/2" W × 57" H × 22" D
Whiteboard (not included) (197 cm × 145 cm × 56 cm)

Weight

Without SMART Board
Interactive Whiteboard) 81 lb. (36.7 kg)

With SMART Board
SB685i3 or SBD685i3 158 lb. (71.7 kg)
Interactive Whiteboard
(not included)

With SMART Board
SB685ix Interactive 146 lb. (66.2 kg)
Whiteboard (not included)



All dimensions +/- 1/8" (0.3 cm). All weights +/- 2 lb. (0.9 kg)

Standard Features

Adjustable Height 25" (63 cm) of vertical travel allows you to raise or lower your interactive whiteboard to a convenient height within that range.

SMART Board SB660 interactive whiteboard

- Reach points for this interactive whiteboard mounted at 52" (132 cm):

Interactive

Whiteboard Position	Lowest Reach Point	Highest Reach Point
Lowest position	5 3/4" (15 cm)	54 1/4" (138 cm)
Highest position	30 1/4" (77 cm)	79 1/4" (201 cm)

SMART Board SB680 or SB685 interactive whiteboard

- Reach points for these interactive whiteboards mounted at 52" (132 cm):

Interactive

Whiteboard Position	Lowest Reach Point	Highest Reach Point
Lowest position	8" (20 cm)	54 1/4" (138 cm)
Highest position	33" (84 cm)	79 1/4" (201 cm)

The motor has a lift capacity of 125 lb. (56.7 kg).

Power source

You can set the voltage switch to either 120V AC or 240V AC

Product uses 100 W while raising or lowering your interactive whiteboard and 1 W in standby mode

Security

You can install a padlock (not included) to secure the interactive whiteboard system at either its highest or its lowest position.

Installation

The combined weight of the wall mount and interactive whiteboard system is approximately 160 lb. (72.5 kg). Check your local building codes to ensure that your wall can support this weight.

Mounting Hardware

Includes mounting hardware for both stud-wall installation and for solid walls made of brick, cinder block or concrete

Certifications and Compliance

We will apply for the following certifications and compliance documentation: CSA, EC, UL, CE, WEEE, EU, California RoHS, packaging laws and China's Electronic Information Products Regulations.

Warranty

Two-year limited equipment warranty

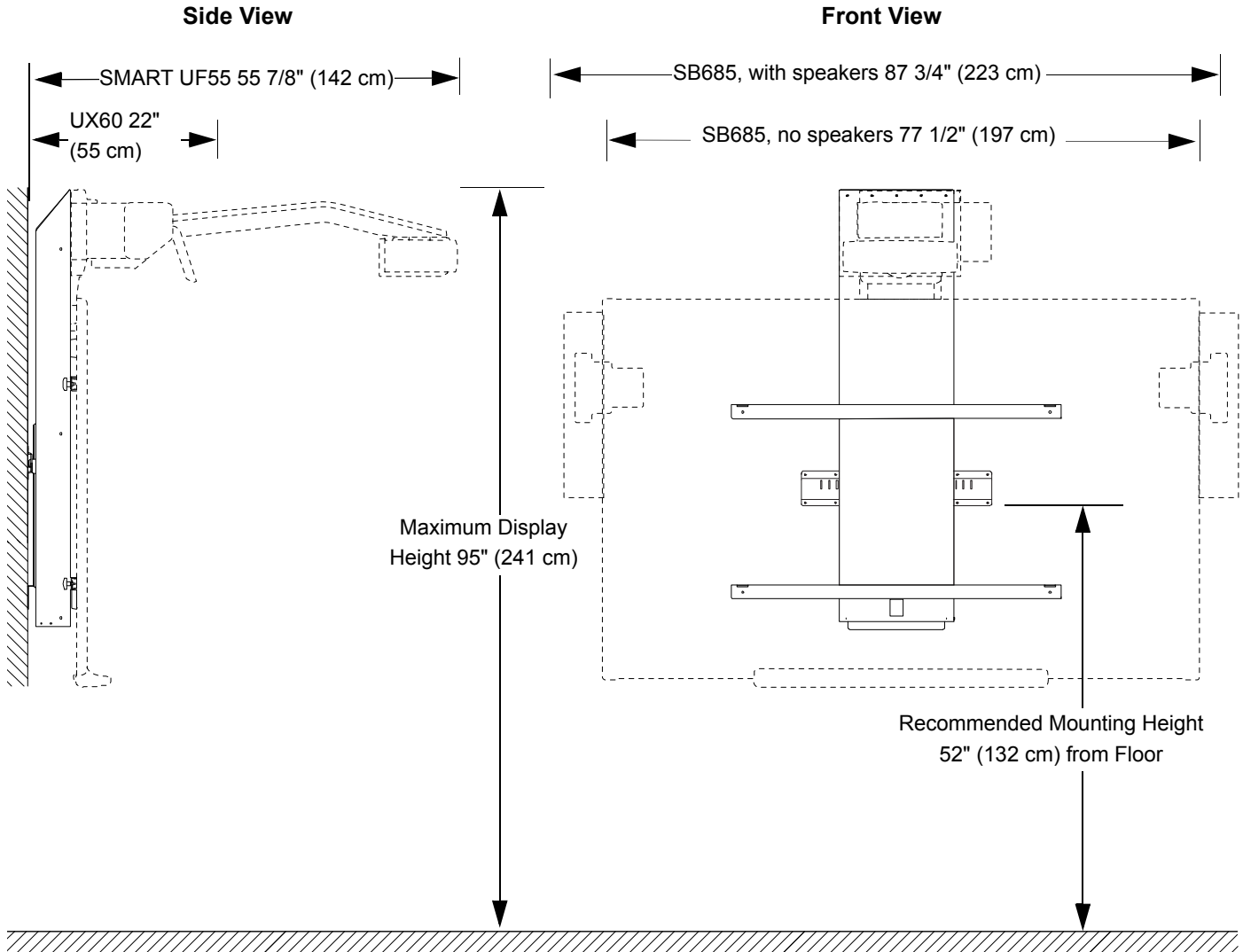
Storage and Operating Specifications

Operating Temperature	Operating temperature range depends on your projector and interactive whiteboard. Please refer to the product documentation for more information.
Storage Temperature	-40°F to 140°F (-40°C to 60°C)
Humidity	95°F (35°C) with up to 85% relative humidity, non-condensing

SMART Order Numbers

HAWM-UX/UF	Height-Adjustable Wall Mount. This product includes wall mounting hardware. Combine this with one of the interactive whiteboard systems below.
SB660i3	SMART Board 660i3 interactive whiteboard system (includes a SMART Board 660 interactive whiteboard, integrated with a SMART UF55 projector)
SB680i3	SMART Board 680i3 interactive whiteboard system (includes a SMART Board 680 interactive whiteboard, integrated with a SMART UF55 projector)
SBD680i3	SMART Board SBD680i3 interactive whiteboard system (includes a dual-touch SMART Board 680 interactive whiteboard, integrated with a SMART UF55 projector)
SB685ix	SMART Board 685ix Interactive Whiteboard System (includes a SMART Board 685 interactive whiteboard, integrated with a UX60 ultra-short-throw projector.)
SBA	Optional speakers for SMART UF55 projector systems
SBA-L	Optional speakers for the SMART Board SB685ix interactive whiteboard system

Physical Dimensions



www.smarttech.com/support www.smarttech.com/contactsupport
Support +1.403.228.5940 or Toll Free 1.866.518.6791 (U.S./Canada)



©2010 SMART Technologies ULC. All rights reserved. SMART Board, the SMART logo and smarttech are trademarks or registered trademarks of SMART Technologies ULC in the U.S. and/or other countries. All third-party product and company names may be trademarks of their respective owners. Patents pending. Contents are subject to change without notice. 02/2010.